



LASER AMMO  
TRAINING TECHNOLOGIES

# USER GUIDE

**LASER AMMO SURESTRIKE™ DRY FIRE LASER KIT**

Premium / Premium Plus / Ultimate



## INTRODUCING & SAFETY

Thank you for purchasing the SureStrike™ Dry Fire Laser Kit.

The SureStrike™ Laser Training Cartridge allows you to practice completely safe marksmanship and gun-handling drills with your own firearm in any location, from the basement to the barracks. By squeezing the trigger, the direct impact of the firing pin activates the SureStrike™ to emit an eye-safe laser pulse, a "shot" of red or IR light, which simulates the point of impact where a bullet fired from the firearm would have struck.

This User Guide covers 3 different dry fire training systems:

- Premium Kit: for 9mm semi auto pistols
- Premium Plus Kit: for 9mm, 40S&W, 45 ACP caliber semi-auto pistols
- Ultimate LE Kit: for 9mm, 40S&W, 45 ACP caliber semi-auto pistols and .223 for AR15 rifles.

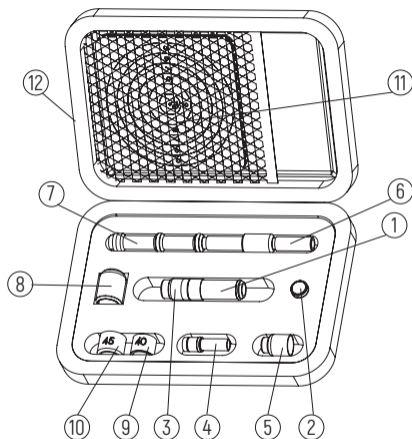
(\* Depending on your order, your kit will either have a red visible laser or infra-red (IR) invisible laser

It is recommended that you read the complete user guide before using your SureStrike™

**THIS LASER IS CLASS 1 LASER PRODUCT**

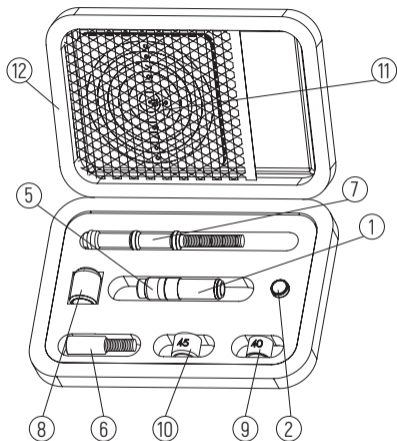
## PARTS LIST

1. Laser module
2. Battery pack
3. 223 for AR15 Action cap (Ultimate only)
4. AR15 Barrel adapter (Ultimate only)
5. 9mm dry fire action cap (Premium / Premium Plus) / 9mm Multi Mode action cap (Ultimate only)
6. Safety pipe extension
7. Safety pipe
8. Safety nut
9. 40S&W adapter ring (Ultimate / Premium Plus)
10. 45ACP adapter ring (Ultimate / Premium Plus)
11. 6 reflective targets
12. Carry case

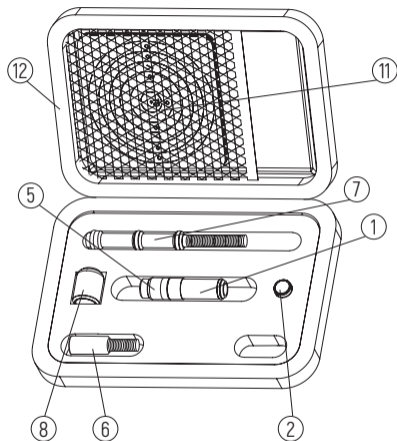


**ULTIMATE LE**

# PARTS LIST



**PREMIUM PLUS**



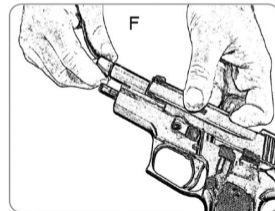
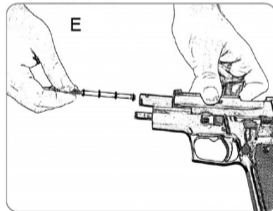
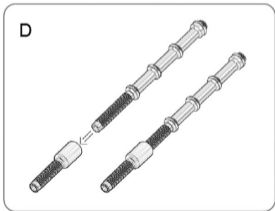
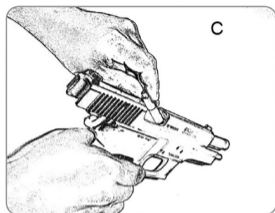
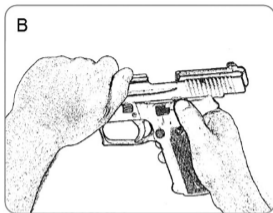
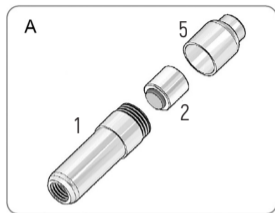
**PREMIUM**

Laser Ammo SureStrike™ Dry Fire Laser Kit

## STEP 1: PREPARING THE FIREARM AND SAFETY

- Unload the firearm
- Physically and visually inspect the chamber, bore and magazine to ensure that all ammunition has been removed.
- Unload ammunition from any magazines that will be used in training
- Store ammunition in an area that is separate from your training area
- Do not allow any live ammunition in the training area
- **Warning:** Firearms can cause serious injuries or death

# Using the SureStrike™ in a 9mm Semi Auto pistol



- A. Unscrew the laser cartridge (action cap and laser module) and insert the battery pack (plus side facing up) into the laser cartridge according to the drawing. Thread the 9mm action cap back onto the laser module with the battery installed. Verify the threading is fully closed.
- B. Open the action / slide and engage the slide stop in the open position. Make sure the action / slide is firmly held by the stop.  
**Warning:** Do not continue if slide is not held firmly or if slide is not good working order.
- C. While pointing the barrel downward, insert the laser cartridge into the handgun by "dropping" it, laser side first, through the slide opening into the chamber. Push it gently into the chamber.
- D. For barrels length between 2.8"-4.1" continue to step E. For barrels longer than 4.1" connect the pipe extension (9) to the safety pipe (7) by threading them tightly together.  
If needed, a longer or shorter (for sub compact pistols) safety pipes or additional extensions are available form Laser Ammo.
- E. While holding the handgun, with one hand, insert the safety pipe (7) down the barrel. While pressing lightly on the back of the laser cartridge with one finger, thread the safety pipe (7) into the laser cartridge until you feel mild resistance. Do not over tighten the pipe.

**PLEASE NOTE:** This side connects to the laser



This side connect to the safety nut

- F. Screw the safety nut (8) onto the safety pipe (7) until it tightens against the barrel

**NOTE:** THE SAFETY NUT MAY BE REVERSED FOR A LONGER REACH.

## After laser is installed:

- Release the slide stop.
- Point the handgun at a safe backstop and pull the trigger to verify the unit is properly installed and functioning.
- **Note:** when using an IR laser, you will need to use a reactive target or simulator to verify if the laser installed properly.
- Enjoy your training.

## DISASSEMBLY

1. Remove the magazine if it is in place.
2. Retract the action / slide and engage the slide stop in the open position. Make sure the action / slide is firmly held by the stop.
3. Press gently on the back of the laser cartridge with your finger to unscrew the safety nut (8)
4. Unscrew the safety pipe (7) and remove from the barrel.
5. Point the barrel up, while positioning your hand palm upward, under the magazine well.
6. Take a wooden pencil with eraser or similar soft object and insert the pencil eraser side first, down the barrel from the front and gently push out the laser cartridge from the chamber.
7. For longer battery life, make sure to remove battery when laser cartridge is not in use.



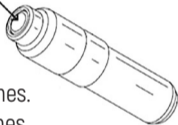
## DIGITAL BORESIGHT – USING THE 9MM MULTI MODE ACTION CAP (ULTIMATE KIT ONLY)

The Multi- Mode 9mm action cap supplied exclusively in the Ultimate LE Kit, can function as both a dry fire and digital boresight back cap.

**NOTE:** IT WILL NOT WORK WITH THE .223 CAP

1. Install your 9mm Multi Mode cap as shown in step 2.
2. Continuously press the firing pad at the end of the action cap. After 9 seconds, the laser will begin flashing in a cycle of one and then two flashes.
3. One flash indicates the Action Cap is set for Dry Fire mode, and two flashes indicate Digital Boresight mode.
4. For Dry Fire mode stop pressing after one flash.
5. For Boresight mode, Stop pressing after 2 flashes.
6. When in Boresight mode, the SureStrike™ may be installed in the handgun and used for bore sighting. Pull your trigger once to turn it on, pull again to turn it off.

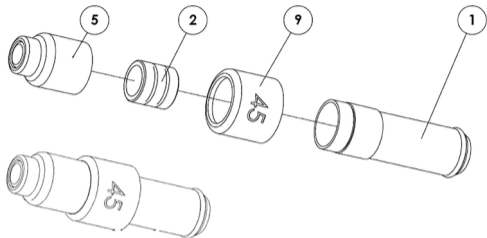
Press Here



## STEP 3: INSTALLING THE SURESTRIKE™ LASER IN A 40SW AND 45ACP CALIBER PISTOLS

(PREMIUM PLUS / ULTIMATE KITS ONLY)

**NOTE:** THE ADAPTER RINGS INCLUDED IN THE ULTIMATE LE AND PREMIUM PLUS KITS WILL WORK ONLY WITH THE 9MM ACTION CAP.



### INSTALLATION:

1. Remove the 9mm action cap [5] from the laser module [1].
2. Place the adapter [9 or 10] with the threaded end away from the laser module [1], on to the threaded end of the laser module [1].

**▲ CAUTION: PLEASE MAKE SURE TO INSTALL THE ADAPTER CORRECTLY. INSTALLING THE ADAPTER UPSIDE DOWN MAY DAMAGE THE THREADS!**

3. Carefully engage the adapter onto the laser model (1) and thread the adapter (9 or 10) down.

**▲ CAUTION: DO NOT USE FORCE**

1. Insert the battery pack (2) plus side up.
2. Take the 9mm action cap (5) and install it on the laser module (1) with the battery installed.
3. The 9mm action cap (5) will thread down to the adapter and hold it in place.
4. Verify the threading is fully closed and that there is no gap.
5. Once the adapter is installed, the SureStrike™ is used in the same manner as a 9mm SureStrike™ (as shown in step 2) and will require the use of the safety pipe and nut.

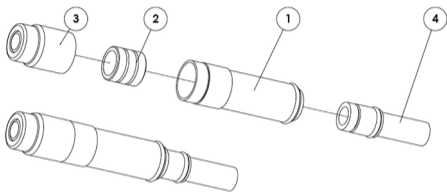
## **DISASSEMBLY:**

Reverse the assembly procedure.

## STEP 4: USING THE SURESTRIKE CARTRIDGE IN A .223 / 5.56 AR15 RIFLE

### (ULTIMATE KIT ONLY)

**NOTE:** DUE TO THE FLOATING PIN SYSTEM OF THE AR15 STYLE RIFLE, THE .223 CAP PROGRAMMED TO WORK WITH AR15 STYLE RIFLES ONLY, AND MAY NOT WORK ON OTHER .223 CALIBER RIFLES.



### ASSEMBLY

1. Take your laser module (1) and insert the battery pack (2) plus side up.
2. Take the .223 for AR15 action cap (3) and thread it onto the laser model (1) with the battery (2) installed. Verify the threading is fully closed and that there is no gap.
3. Thread the barrel adapter (4) onto the front of the laser module (1).

4. Retract the bolt and engage the bolt stop in the open position. Make sure the bolt is held firmly by the stop. Do not continue if the bolt is not held firmly or the bolt stop is not in good working order.
5. While pointing the barrel down, insert the laser cartridge into the firearm, barrel adapter (4) first, through the receiver (breach) opening into the chamber.
6. Still pointing down, release the bolt stop gently.
7. Point the firearm at a safe backstop and pull the trigger to verify that the unit is properly installed and functioning.

**Note:** When using an IR laser, you will need to use one of Laser Ammo's reactive targets or simulators, to verify if the unit works properly.

## DISASSEMBLY:

1. Open the bolt and engage the bolt stop in the open position. Insert a cleaning rod, using a flat tipped attachment into the barrel from the front and gently push the laser cartridge out.
2. Disassemble laser cartridge in the reverse order of assembly.
3. To ensure longer life span of the battery, make sure to remove it when the SureStrike™ laser is not in use.

## MAINTENANCE AND SERVICE

The Laser cartridge is an electronic device and should always be treated as such. Store in original case.

- a. Remove battery pack when not in use.
  - b. Wipe the Laser cartridge only with a soft fabric - do not immerse in solvents or cleaning agents.
  - c. Clean the laser lens using a glass cleaner and cotton swab.
  - d. Lightly lubricate threading using gun oil.
- 
- The SureStrike™ cartridge comprises three components: Laser, battery and cap. The cartridge is controlled by pushing the back side.
  - Laser Ammo warranty the back cap for a minimum of 5,000 shots. After that, the firing cap can be expected to wear and fall to fire the laser. If you experience such wear, contact Laser Ammo to purchase a replacement cap. Follow the battery changing procedures to replace the cap.
  - This Laser product is designated as Class 1 during all procedures of operation, maintenance and service. No scheduled maintenance is necessary to keep the product in compliance.
  - It is strictly forbidden to modify the Cartridge. Opening of Cartridge is limited to battery replacement only.

## Laser Safety Rules

Due to Product size, product labeling only appears in this user information.

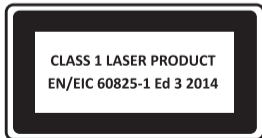
**Warning:** Use of controls or adjustments or performance of procedures other than those specified here in may result in hazardous radioation exposure.

Complies with FDA performance standards for laser products except for conformance with IEC 60825-1 Ed. 3., as described in Laser Notice No. 56., dated May 8, 2019.

Model # \_\_\_\_\_

Lot # \_\_\_\_\_

Date \_\_\_\_\_



## WARRANTY

Laser Ammo warrants that this product shall be free from material defects and defects in workmanship for the earlier occurrence of:

A period of one (1) year from the date of the purchaser's receipt of the product, or 5000 laser "shots", whichever occurs earlier. Notice of any warranty claim must be received by Laser Ammo, in writing, prior to the expiration of the warranty period.

Laser Ammo reserves the right to inspect the product before honoring the warranty.

Laser Ammo's warranty is limited solely to the above and applies only for the period set forth.

Laser Ammo will not be liable for any loss, damage, direct, incidental or consequential damages of any kind, whether based upon warranty, contract, negligence, or strict liability, or arising in connection with the sale or use of the product by the user or any third party.

Laser Ammo's warranty does not cover any damage to the product that results from improper installation, accident, abuse, misuse, natural disaster, insufficient or excessive electrical supply, abnormal mechanical or environmental conditions, or any unauthorized disassembly, repair, or modification.



This limited warranty does not apply to any product on which the original identification information has been altered, obliterated or removed.

Laser Ammo will, at its sole option, either repair or replace any part of the product that proves defective by reason of improper workmanship or materials.

In all events, Laser Ammo's maximum liability to the purchaser related to any warranty claim or defect with respect to the product shall not exceed the contract price for the specific product claimed to be defective or unsuitable, or alleged to have been the cause of any damage to the purchaser or any third party.

The foregoing is in lieu of all other warranties, oral, expressed or implied, including, but not limited to, any implied warranties of fitness for a particular purpose.

The provisions of this section shall be applicable to both implied warranties (if any) and expressed warranties.

All firearms are potentially dangerous and can cause a great harm, personal injury and death. It is your responsibility and legal obligation to handle, load, unload, use, transport, maintain and store your rearm in a safe manner. No liability is expressed or implied for damage or injury as a result of installation or use of this product. Warranty is limited to the replacement or repair of the original product only.

Using the SureStrike™ Laser Cartridge not according to the user guide will void the warranty.

Enhance your shooting skills with other quality products by Laser Ammo:

# SURESTRIKE™ SHOOTING DRILL CARDS

Chosen by History Channel's Top Shot Colin Gallagher & approved by NRA trainers & professional shooters, this deck contains 50 drills with varying levels of difficulty, incorporating the LaserPET and I-MTTs targets from Laser Ammo. Work on all aspects of marksmanship, as well as transitions, shooting under stress, and more! Keeps training fresh for when you run out of ideas!



# LASERPET™ II

Advanced standalone reactive target with six interactive training programs that will improve your response & draw time, accuracy, reloads and much more.



## USE THE SURESTRIKE™ WITH ALL OF YOUR OTHER FIREARMS

Laser Ammo offers a wide array of caliber adapters for rifles, pistols & shotguns allowing you to train with your favorite gun!



LASER AMMO

TRAINING TECHNOLOGIES

Product of Laser Ammo USA Inc

PO Box 222017

Great Neck NY 11022

[info@laser-ammo.com](mailto:info@laser-ammo.com)

[www.laser-ammo.com](http://www.laser-ammo.com)

(516) 858 1262

European office:

[info@laser-ammo.se](mailto:info@laser-ammo.se)

46 (0) 18-4951115

[www.laser-ammo.se](http://www.laser-ammo.se)